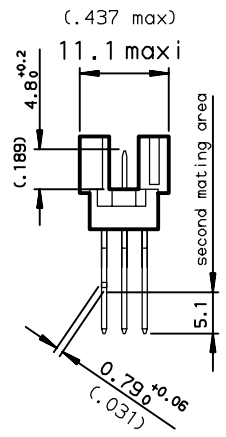
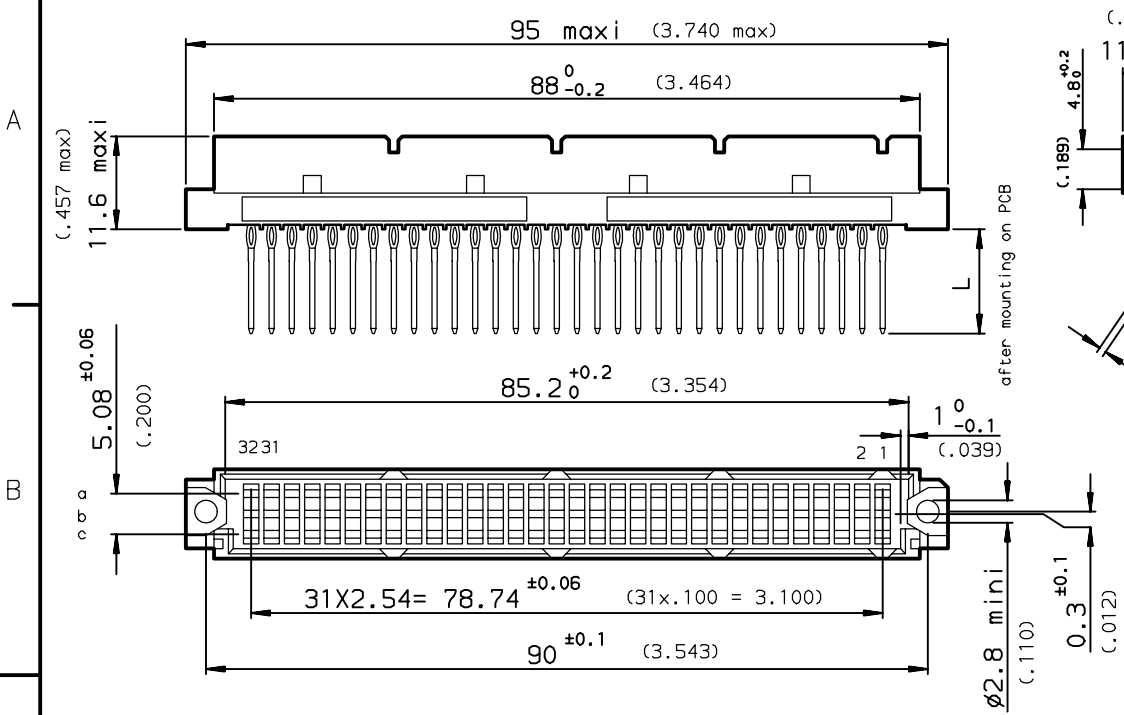
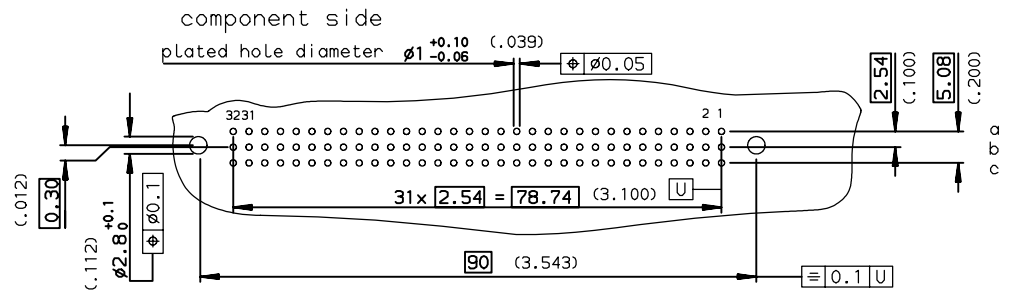


DIMENSIONS mm (inches)



PCB DRILLING



PART NUMBER	8609			78		7		5	
PIN OUT									
rows a-b-c				3				96	
rows a-c				4				64	
NUMBER OF CONTACTS									
TERMINATION									
L = 13.25 ±0.25 (.521)									96
L = 17.25 ±0.25 (.679)									97
L = 20.00 ±0.25 (.787)									98
PERFORMANCE CLASS									
DIN 41612 class 3									4
DIN 41612 class 2									5
DIN 41612 class 1									6
TERMINATION TYPE									
TIN LEAD									000
LEAD FREE									LF

GENERAL CHARACTERISTICS AND ROHS INFORMATIONS:
 SEE DRAWING C-8609-0000C

European Views

www.fciconnect.com		surface	tolerance std	projection	mm
		ISO 1302	ISO 406 ISO 1101		
TOLERANCES UNLESS OTHERWISE SPECIFIED					
Dr	ROUILLARD	1992/07/07	ANGULAR	0.X	±0.1
Eng	TARON	1992/07/07	LINEAR	0.XX	±0.1
Chr	LEGARE	1992/07/07	0.XX' ±2'	0.XXX	±0.1
Appr	LEGARE	1992/07/07	Product family	Din 8609	Spec ref -
title		STRAIGHT MALE - STYLE R		size	Scale
catalog no		PRESS FIT REAR PLUG UP		A3	1.5
dwg no		C-8609-0285		ECN	LS06-0095
CUSTOMER		sheet 1 of 1		Rev.	F

rev	ecn no	dr	date
D	-	ATC	1998/12/09
E	LS05-004	JTA	2005/02/26
F	LS06-0095	LGO	2006/06/15
-	-	-	-
-	-	-	-
-	-	-	-

Copyright FCI. FCI